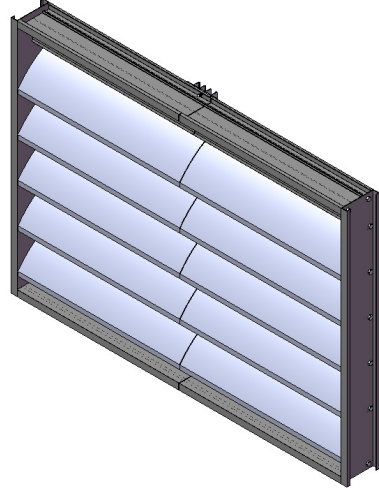
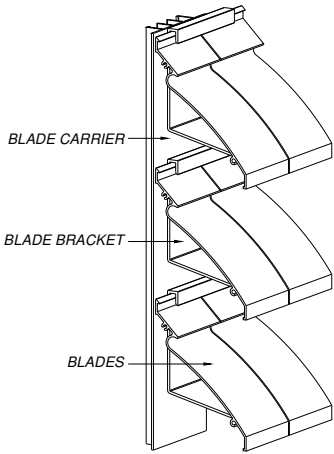


- AVAILABLE FINISHES:**
- POWDER COAT FINISH
 - DURANAR FINISH
 - ANODIZED FINISH
 - CLEAR ANODIZED
 - LIGHT BRONZE
 - MEDIUM BRONZE
 - DARK BRONZE
 - BLACK ANODIZED

- OTHER ACCESSORIES:**
- STAINLESS STEEL FASTENERS
 - ALL WELDED CONSTRUCTION
 - MONUMENTAL CONSTRUCTION WITH HEAVY GAUGE MATERIAL (AVAILABLE FOR MODELS 2420 AND 2630 ONLY)

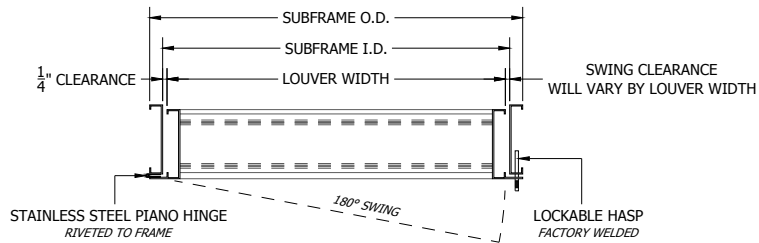
CONTINUOUS LINE CONSTRUCTION



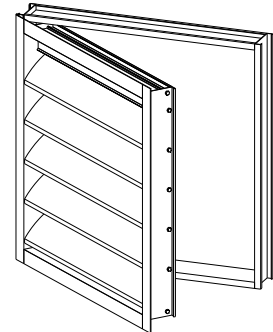
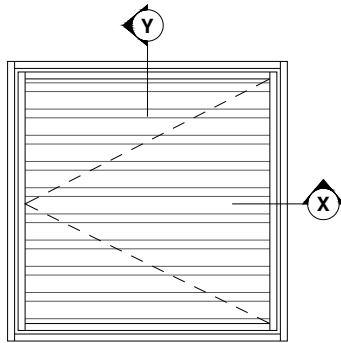
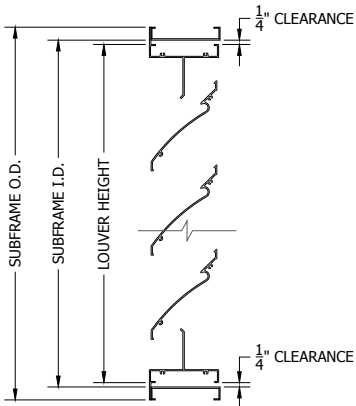
*NOT RECOMMENDED FOR DRAINABLE LOUVERS

HINGED ACCESS DOORS

SECTION - X

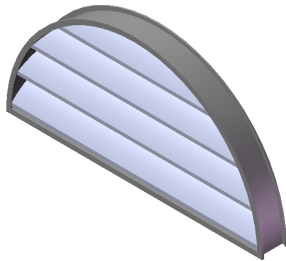


SECTION - Y

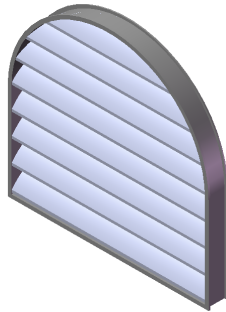


SPECIALTY GEOMETRIC SHAPES

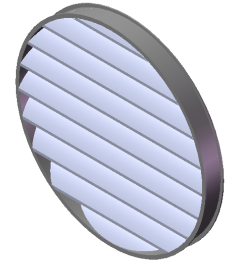
ARC



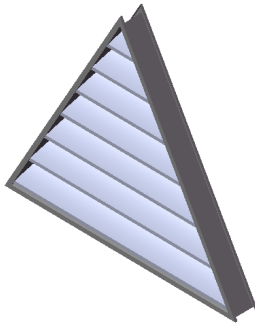
ARCHED



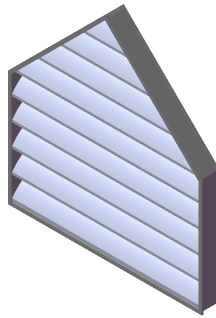
ROUND



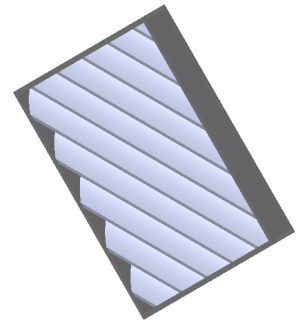
TRIANGLE



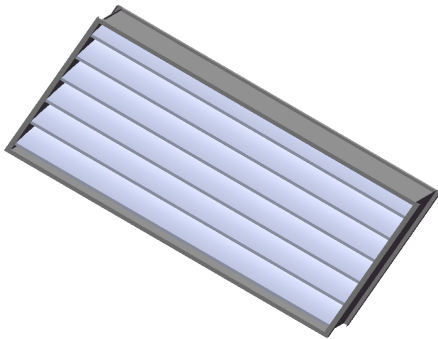
PEAKED TOP



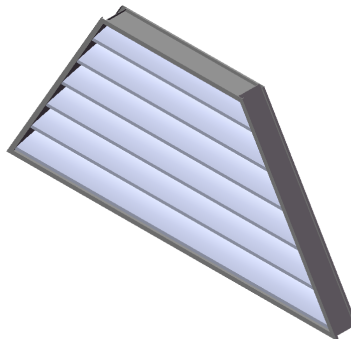
DIAMOND



PARALLELOGRAM



TRAPEZOID



OCTAGON

